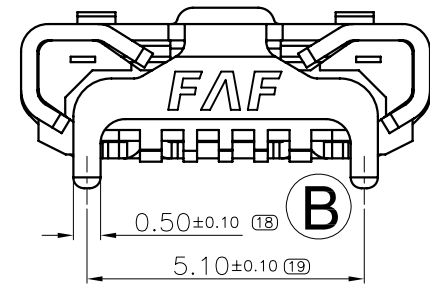
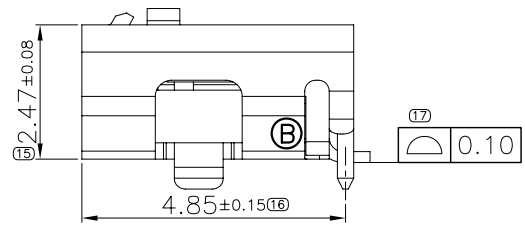
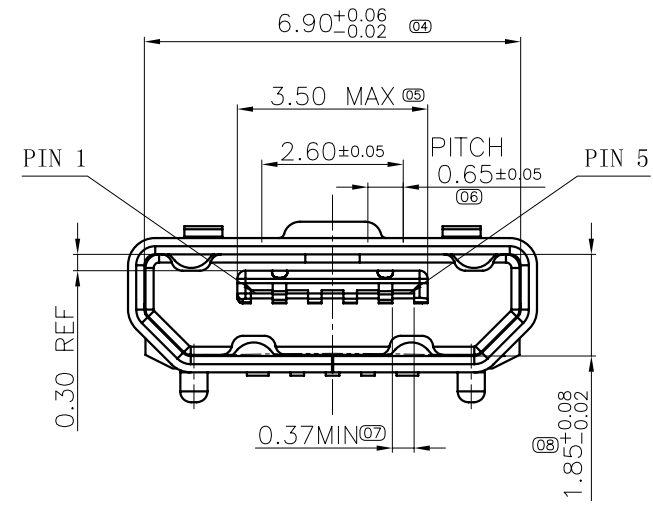
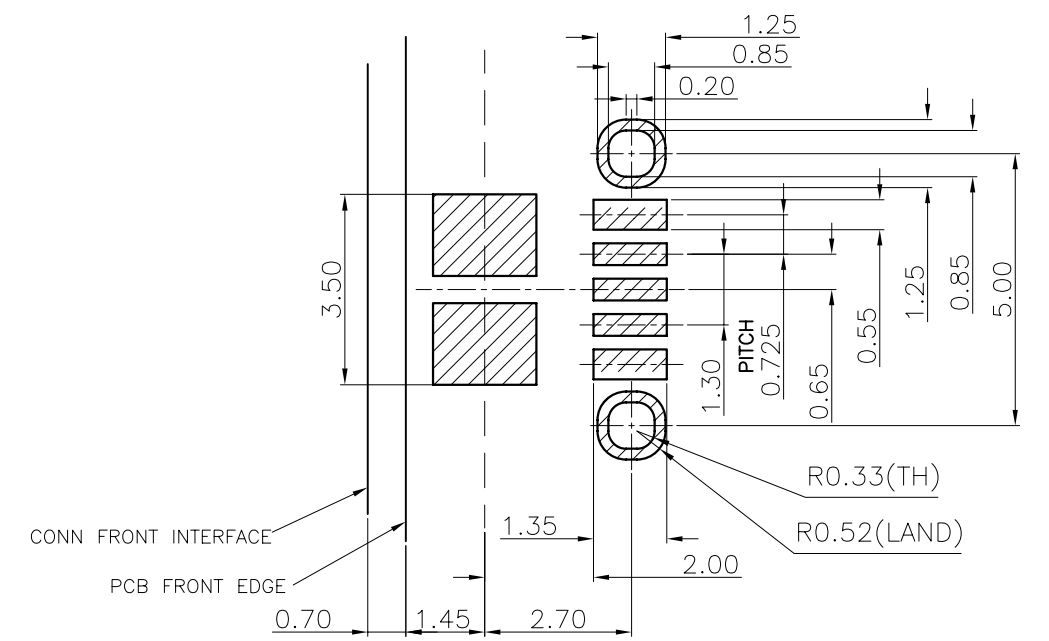
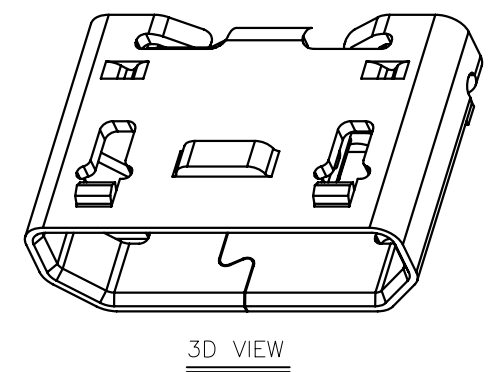
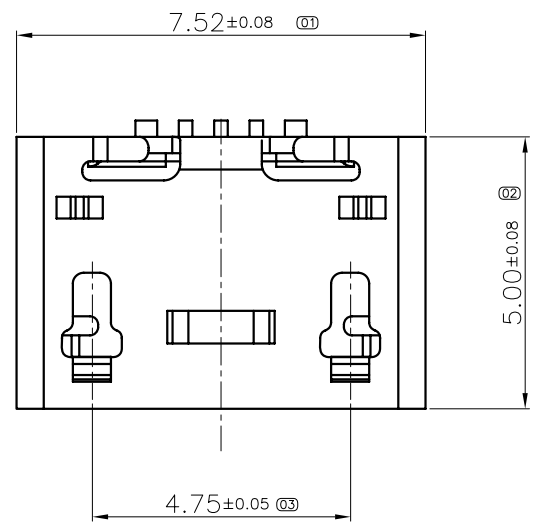
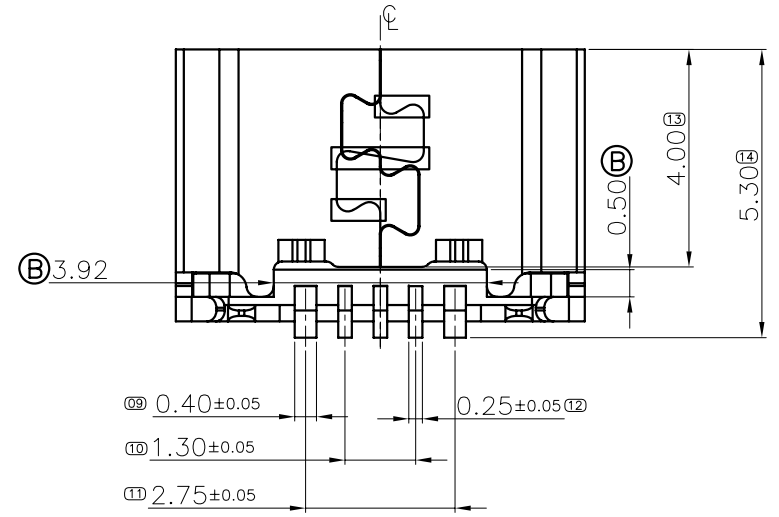


REV	ECN NO	DESCRIPTION	DATE	APPD
A		转量产, 正版发行	2015.01.06	周冬方
B	PECN1503009	根据营业ECR F1503007变更	2015.03.25	周冬方
C	PECN1505007	图面整理	2015.05.14	周冬方



RECOMMENDED PCB LAYOUT
TOP VIEW (TOLRANCE:±0.05)

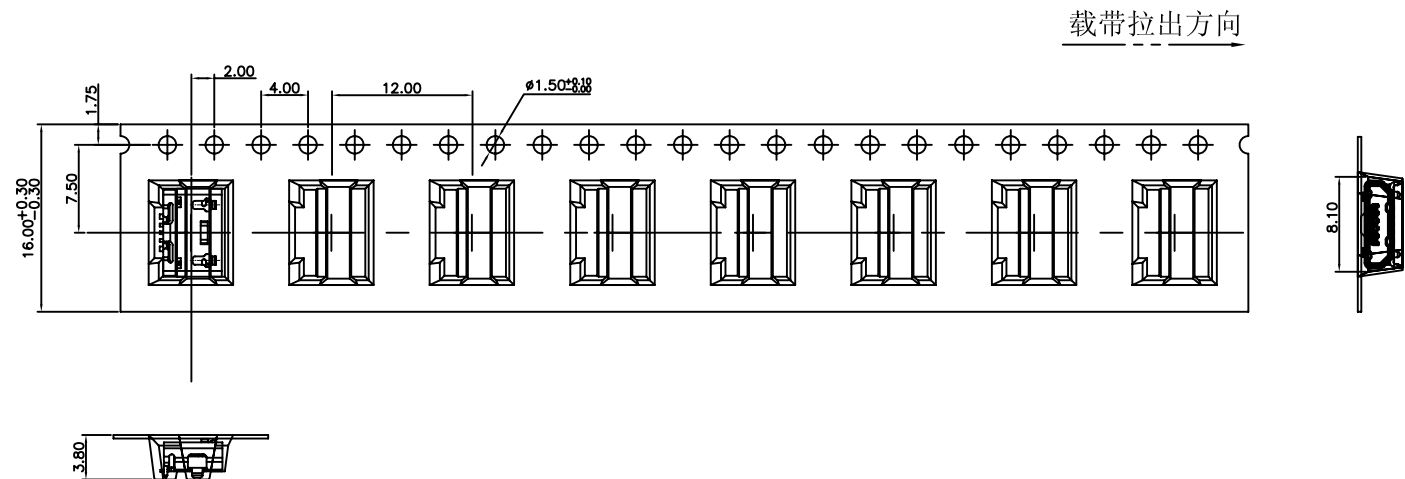
- NOTE:
- MATERIAL:
HOUSING: HIGH TEMP. THERMOPLASTIC, PA10T R630 BLACK COLOR, UL 94V-0;
TERMINAL: COPPER ALLOY, C7025 T=0.2mm;
SHELL: STAINLESS STEEL, SUS 304 T=0.30mm;
 - PLATING:
TERMINAL: NICKEL 50~120u" UNDER PLATED OVER ALL;
GOLD 15u" Min PLATED AT CONTACT AREA;
GOLD FLASH PLATED AT SOLDER TAIL AREA;
SHELL: NICKEL 50~120u" UNDER PLATED OVER ALL;
MATTE TIN 80~150u" ON THE ALL.
 - TAIL&NAIL COPLANARITY 0.08mm MAXIMUM.
 - PERFORMANCE:
CONTACT RESISTANCE: 40mΩ. Max.
DWV: 100V AC FOR 1MINUTE;
INSULATION RESISTANCE: 500MΩ. Min.
MATING FORCE: 25N Max.
UN-MATING FORCE: 8-25N.
DURABILITY: 10000 CYCLE Min.



EXTEND USE		TITLE			
MICRO USB 5P		MICRO USB 5P CUST'DWG			
UNIT mm		MATERIAL		DWG NO C-3.090A1	
GENERAL TOLERANCE (32)		APPD		P/N: 3.090A1-005-5R0	
DIMENTION		QTY		SHEET	
ANGLES		FINISHED		SCALE	
. ±0.30		DRN 孙海坤 2015.05.14		1/1	
.0 ±0.25				1:1	
.00 ±0.20				(M) REV	
.000 ±0.10				B	

A4

REV	ECN NO	DESCRIPTION	DATE	APPD
A		正版发行	2015.01.06	周冬方



说明:

1. 数量:

1.1. 卷盘包装: 1800PCS/REEL;

1.2. 外箱包装: 12 REELS/CARTON (21600PCS);

2. 盖带与载带剥离力: 20~75gf;

3. 剥离角度: 165° ~ 180°;

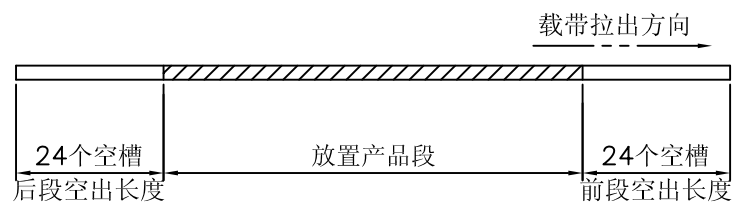
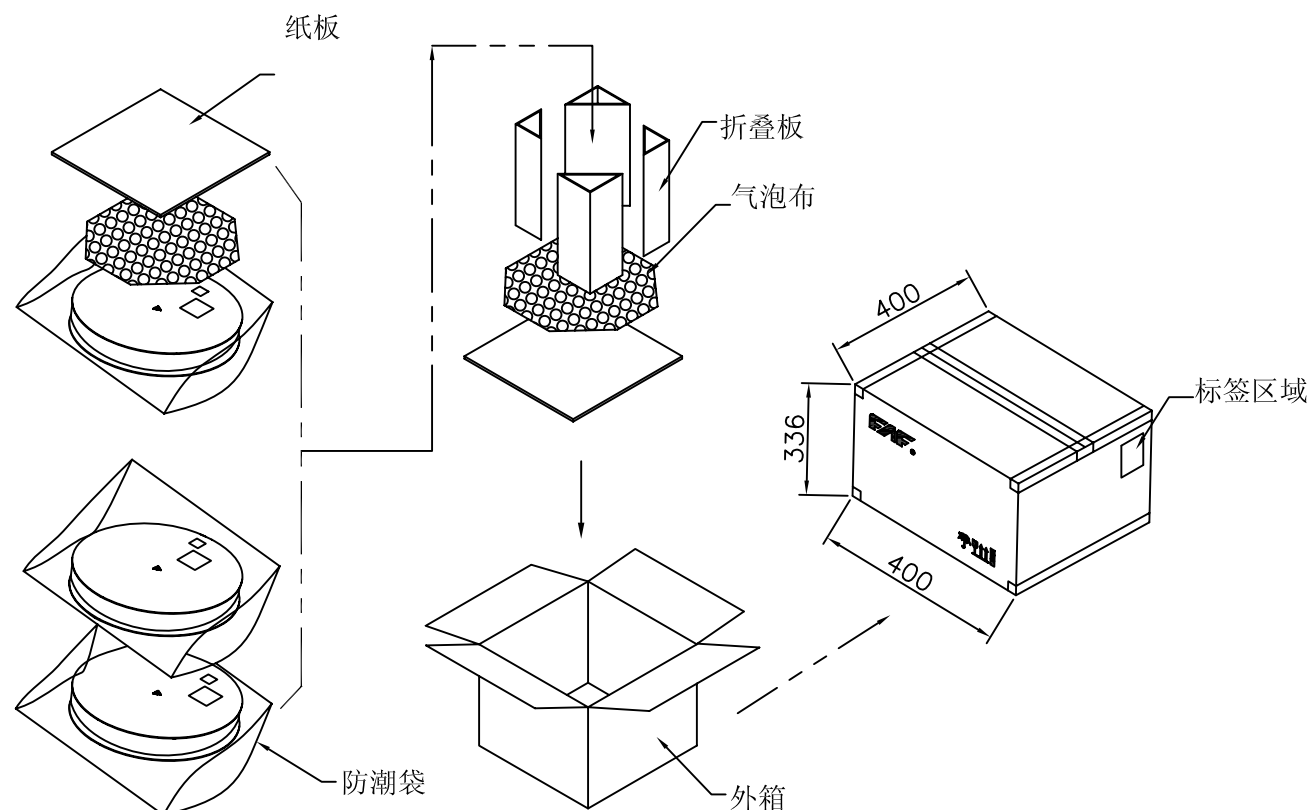
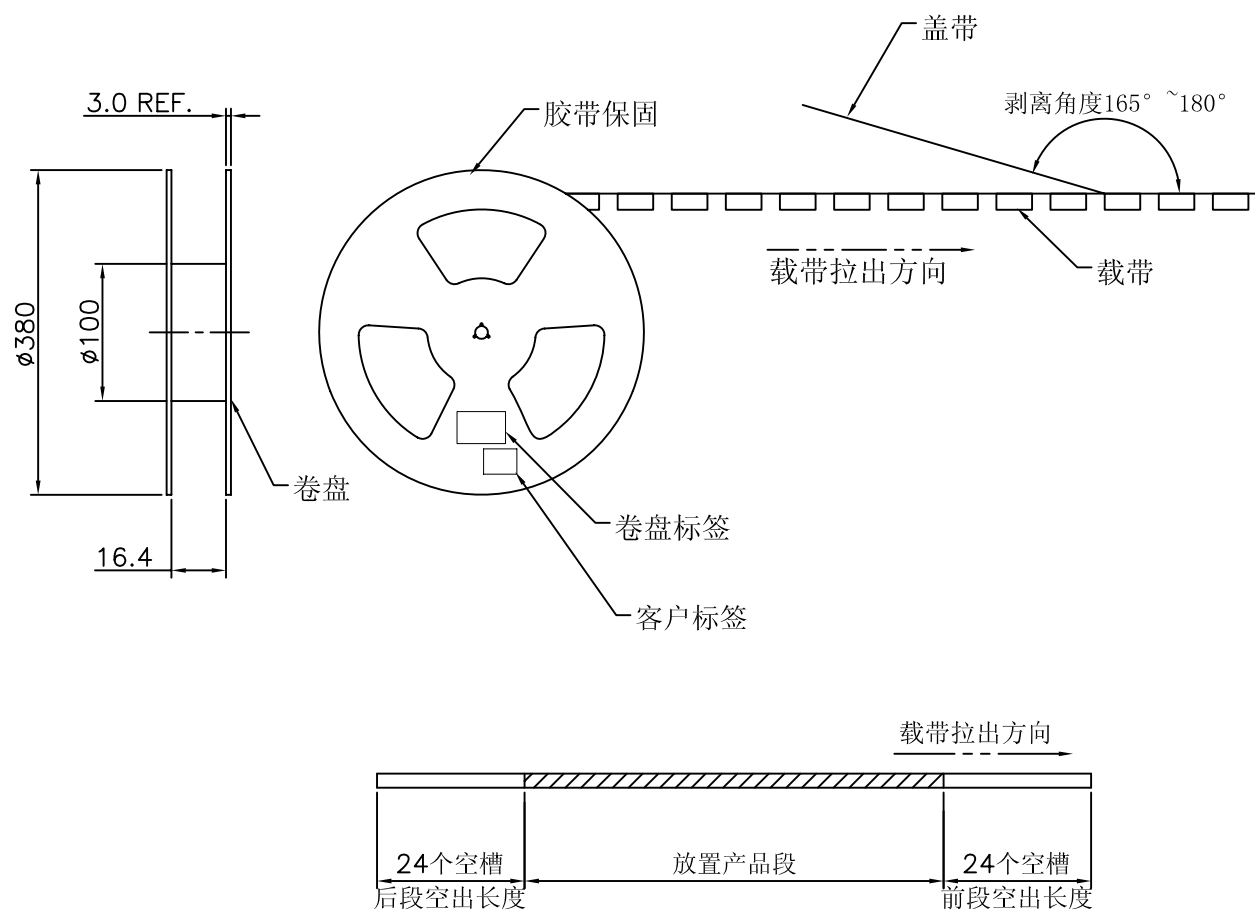
4. 剥离速度: 300mm/min.

5. 来料、生产及包装运输过程必须满足

FAF JH-GP-213 《环境管理物质限用作业程序》要求.

6. 料号明细

3.090A1-005-5R0	接触区镀金15u" Min; 焊脚区镀金1u" Min
3.090A0-005-5R0	接触区镀金15u" Min; 焊脚区镀金1u" Min
PART NUMBER	CONTACT PLATING



EXTEND USE		TITLE		FAF	
Micro USB 5Pin		3.090A0/1 客户包装图		DWG NO	
GENERAL TOLERANCE		MATERIAL		C-3.090A0/1-P	
DIMENTION		QTY		P/N:	
ANGLES		FINISHED		3.090A*-005-5R0	
. ±3	. ±2'	DRN 黄文珠 2015.01.06		SHEET	SCALE
.0 ±0.10	.0 ±1'			1/1	N/A
.00 ±0.10	.00 ±0.5'			①	REV
.000 ±0.10					A